



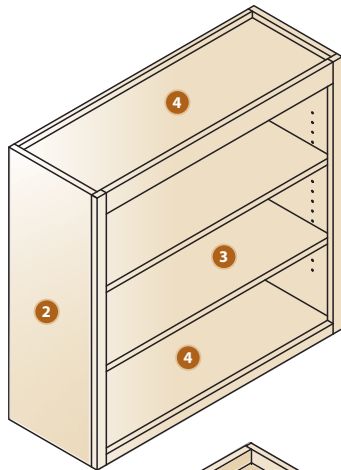
KEYLINE

by CRYSTAL

Keyline framed cabinet collection was created by selecting many of Crystal's most popular door styles, woods, finishes, and sought-after custom design elements. The same high-quality American-made construction is used.

By simplifying the choices, you get an incredible value with distinct appearance and custom features. Keyline cabinetry has authentic styling and craftsmanship with each cabinet built just for you.

Keyline Box Construction



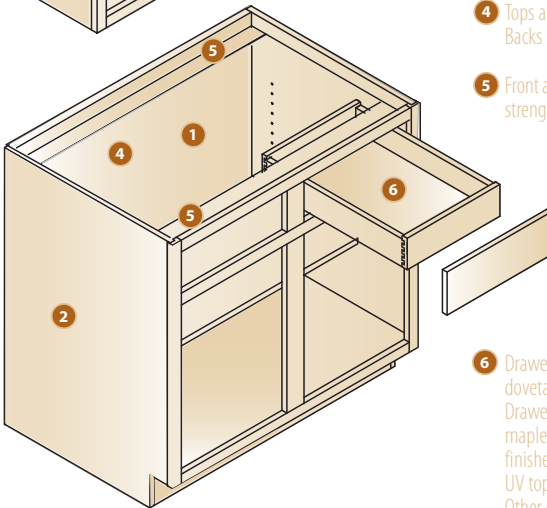
1 Standard interior options include natural wood grain or white melamine thermofused to high-grade particleboard. Or choose Green-Core no added urea-formaldehyde plywood option with natural maple veneer, coated with a non-emitting and exceptionally durable UV topcoat. Matching interior option also available.

2 Finished ends are 3/4" thick. Unfinished ends are 1/2" thick.

3 Shelves are wood grain melamine on 3/4" particleboard substrate. Plywood shelf option also available.

4 Tops are 1/2" thick. Backs are 1/8" thick.

5 Front and back stretchers for support, strength and easy installation.



6 Drawer sides, front and back are 3/4" thick dovetailed natural maple veneer plywood. Drawer bottoms are 1/4" thick natural maple veneer plywood. Drawers are finished with a non-emitting and durable UV top coat.

- Other drawer options:
- Solid wood dovetail drawer
 - White or wood grain melamine drawer

Drawer Guides

- All drawers come standard with **Soft Close®**. Feature pulls drawer closed smoothly and quietly.
- Roller carriage mechanism is self lubricating.



70 PLUS DOOR STYLES

We construct all of our own wood doors.

- 3/4" solid wood frames and door panels
- mortis & tenon or mitered
- 3/4" solid wood raised panel or 1/2" solid wood flat panels
- Most styles available in all overlay options and Inset. Inset frames are available beaded or non-beaded.
- MDF styles



25 STAINS & 19 PAINT COLORS

Keyline's stains and paints are available in a generous palette from light to dark. We offer many specialty finish options:

- Glazing
- Highlights
- Distressing elements

Utilizing innovative and progressive finish technology, our multi-step application produces the finest finish available.



11 WOODS

- Cherry
- Knotty alder
- Rustic cherry
- Rustic hickory
- Rustic red oak
- Quarter-sawn white oak
- Premium alder
- Lyptus
- Hickory
- Red oak
- Maple

